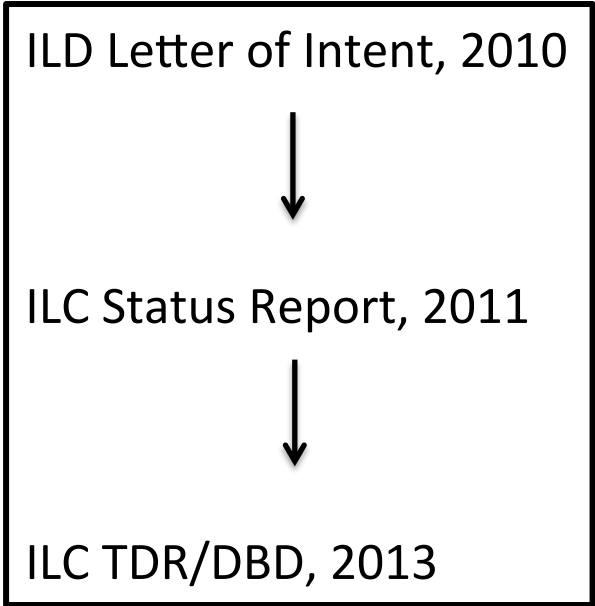
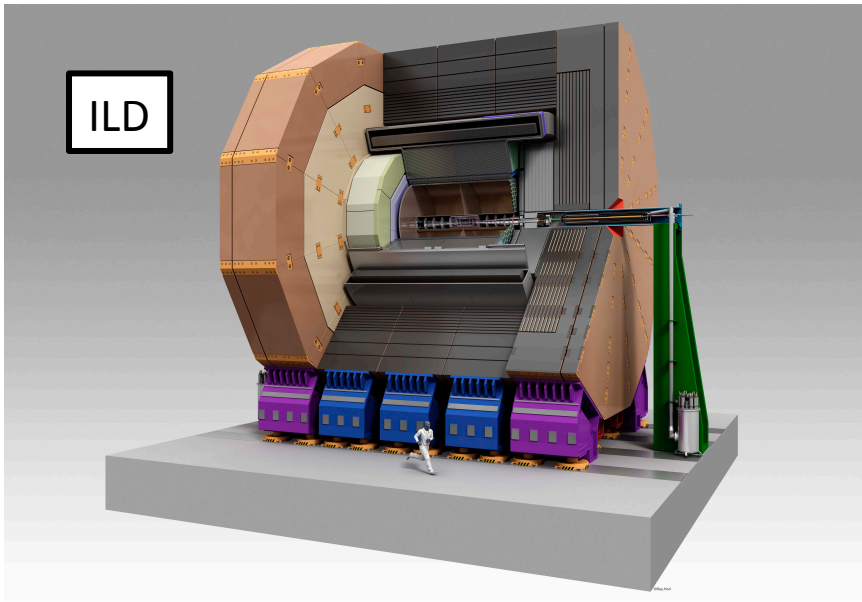
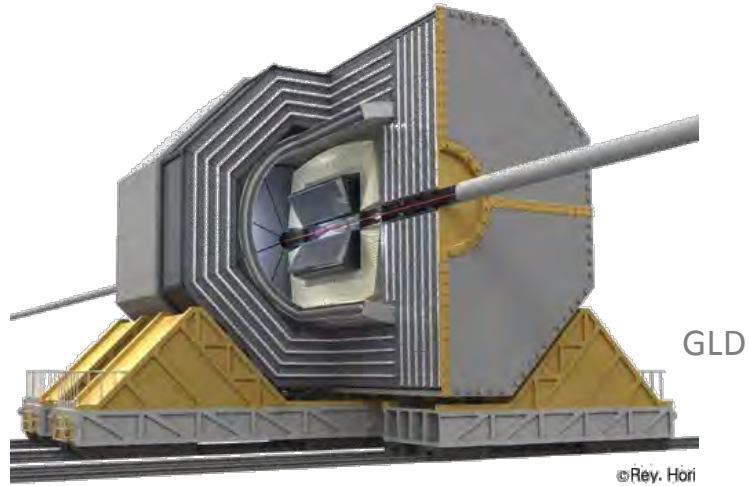
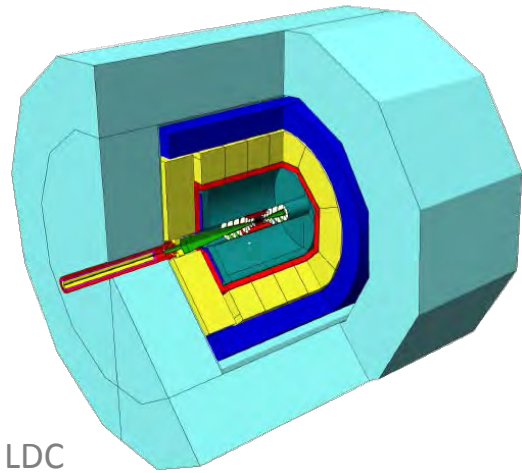


ILD organisation

Jan Timmermans - NIKHEF

LDC, GLD → ILD

Reference Design Report, August 2007



ILD workshops + (shorter) meetings at LC related conferences

- DESY Zeuthen, Jan 2008
- Cambridge, Sep 2008
- Seoul, Feb 2009
- Paris, Jan 2010
- Orsay, May 2011
- Fukuoka/Kyushu, May 2012
- Cracow, Sep 2013
- Oshu City, Sep 2014

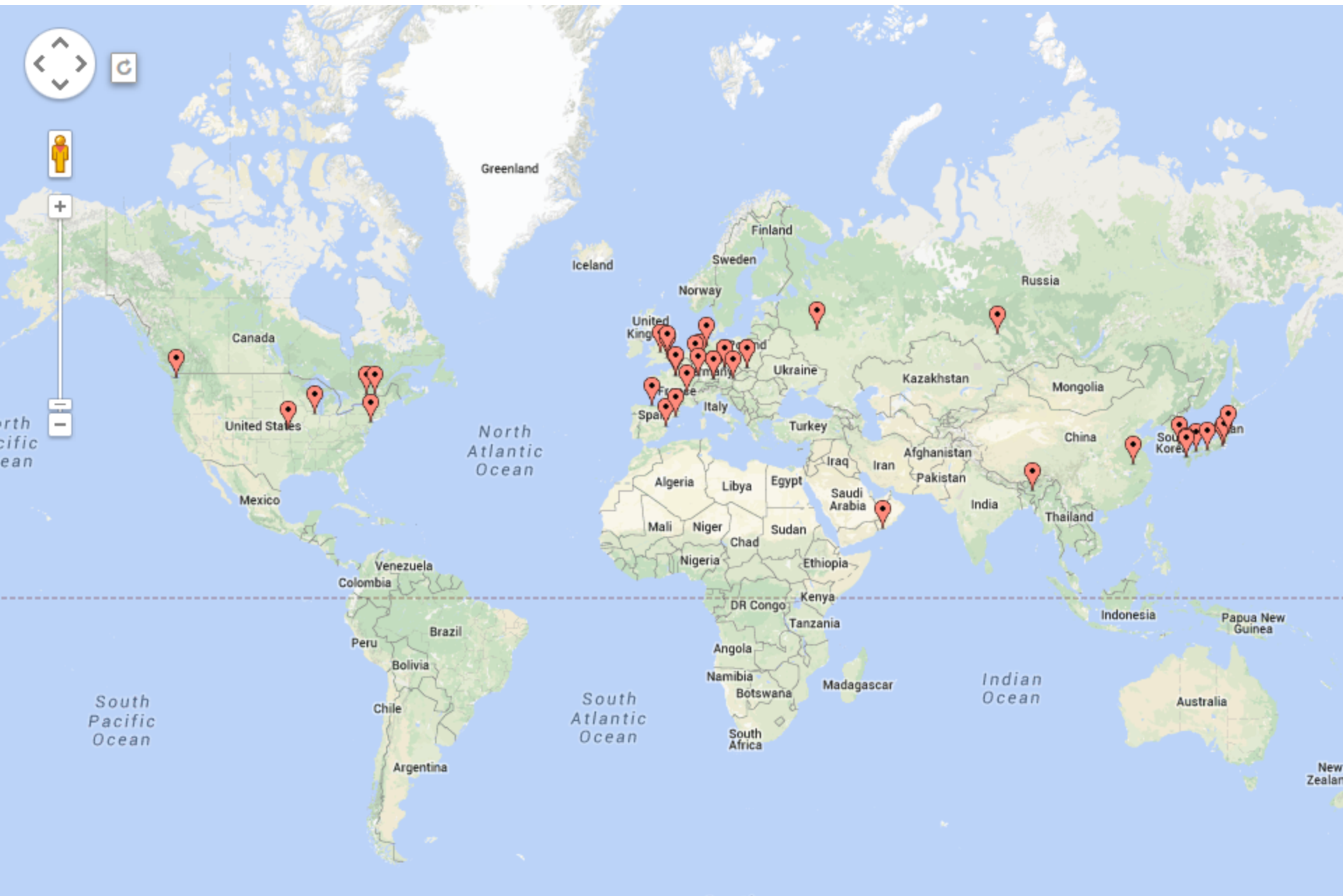
- + more than 10 meetings @ Sendai, Warsaw, Chicago, Tsukuba, Albuquerque, Beijing, Hamburg, Geneva, Stanford, Eugene, Granada

(past <2014) Organisation

- No clear rules concerning ILD membership
 - There were signatories for ILD LOI
 - Common signatories list for ILC TDR from machine, ILD, SiD
- Light ILD structure with:
 - 5-6 Contact People forming **ILD Joint Steering Board**
 - 4 **Working Groups** (Detector Optimisation, Integration and MDI, Costing, Background)
 - **Subdetector Contacts** (also liaisons with R&D collaborations)
 - Contact people to the ILC Research Director
 - **All the above forming ILD Executive Board**

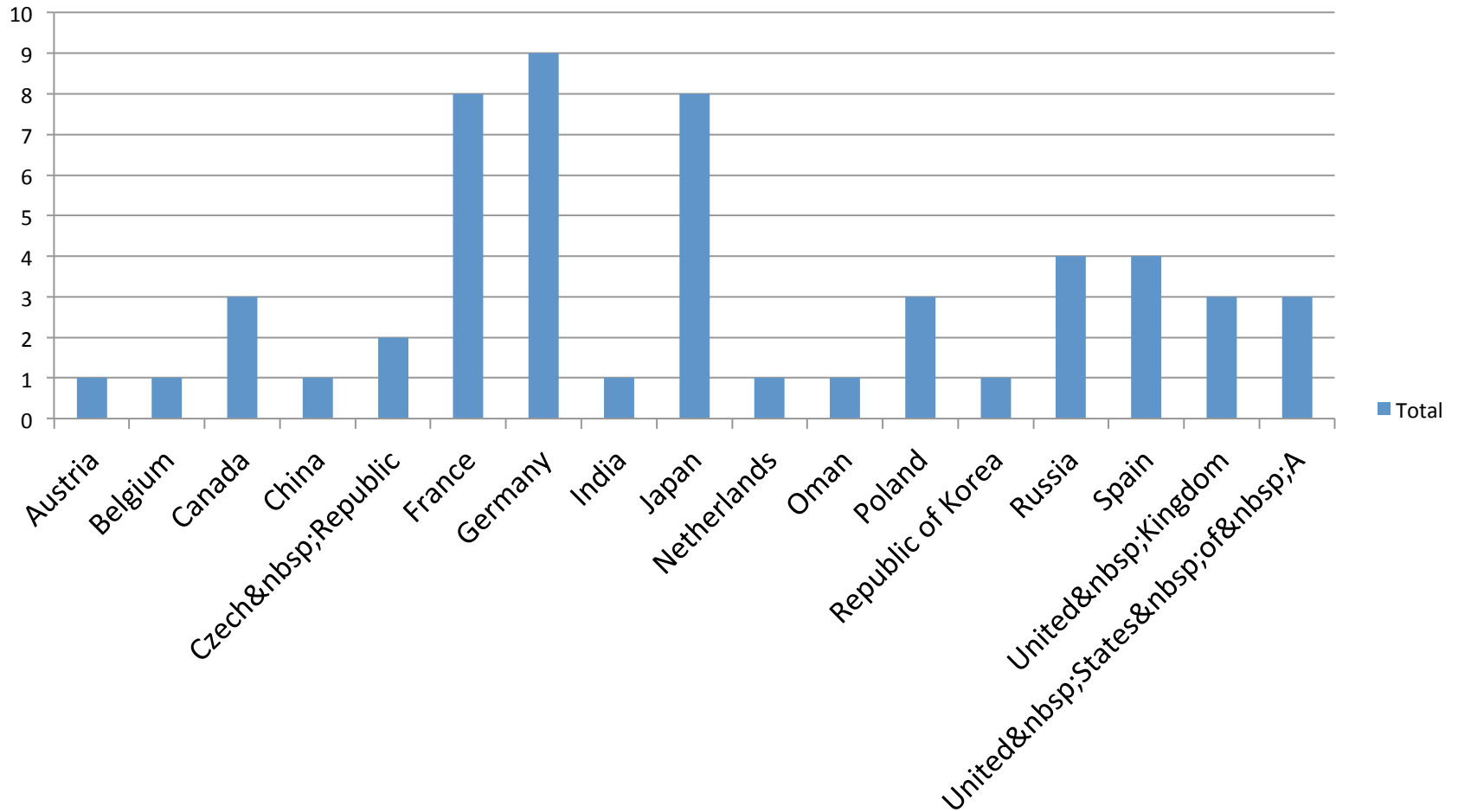
Present organisation (work in progress)

- **ILD membership is on institutional basis:**
 - Call for groups to sign “Statement of participation in ILD”
 - Currently 60 institutes have signed up
- each ILD member institute has one seat/vote **in ILD Institute Assembly (IA)**
- **IA has elected chair** and
 - Defines next step of ILD structure
 - Defines procedure to election of ILD leadership
- Until then “day-to-day” business by JSB



IA: Country Distribution

Total



Member list (1)

- (1) **Austria:** HEPHY Vienna
- (1) **Belgium:** Univ. Gent
- (3) **Canada:** Carleton Univ., McGill Univ., Univ. Victoria
- (1) **China:** USTC Hefei
- (2) **Czech Republic:** IPASCR Prague, FNSPE (CTU) Prague
- (9) **France:** Univ. Blaise Pascal Clermont-Ferrand, OMEGA Palaiseau, LPSC Grenoble, LAL Orsay, LPNHE Paris, CEA/Irfu Saclay, LLR Palaiseau, IPNL Lyon, IPHC Strasbourg
- (9) **Germany:** Univ. Hamburg, Univ. Heidelberg, Univ. Wuppertal, Univ. Mainz, Univ. Siegen, MPP Munich, DESY, MPG HLL Munich, Univ. Bonn
- (2) **India:** SINP Saha, IITG Guwahati
- (1) **Israel:** Tel Aviv Univ.
- (10) **Japan:** Nippon Dental Univ. Niigata, Shinhu Univ. Nagano, Univ. of Tokyo, Kogakuin Univ. Tokyo, Hiroshima Univ., IPNS KEK, Tohoku Univ. Sendai, Kinki Univ. Osaka, Kyushu Univ. Fukuoka, Saga Univ.
- (1) **Netherlands:** Nikhef Amsterdam
- (1) **Oman:** Salalah College of Technology
- (3) **Poland:** Univ. Warsaw, AGH-UST Krakow, IFJ PAN Krakow

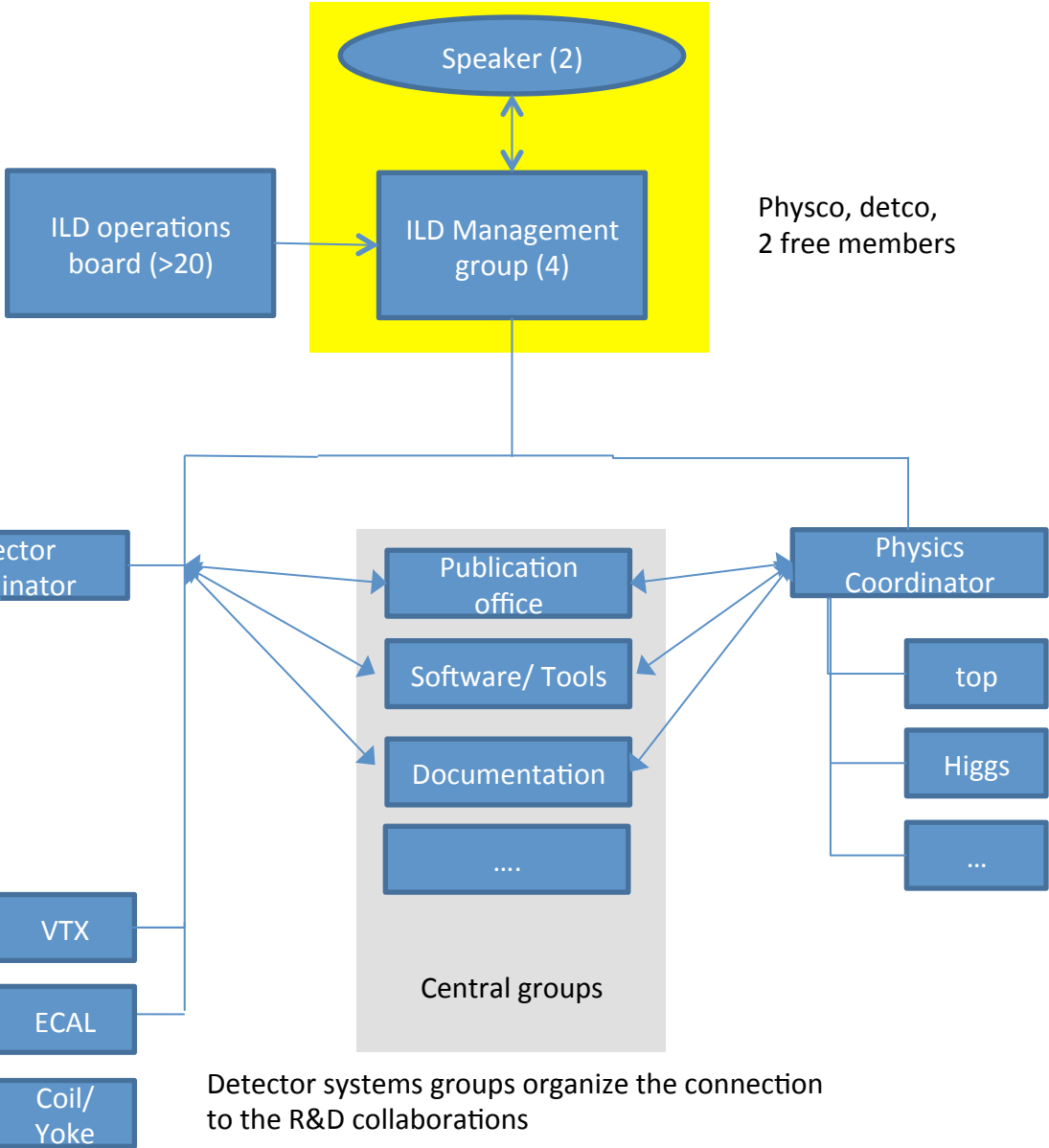
Member list (2)

- (1) **Korea**: CHEP Daegu
- (5) **Russia**: KIAM RAS Moscow, ITEP Moscow, NRNU MEPhI Moscow, BINP Novosibirsk, SINP MSU Moscow
- (4) **Spain**: CIEMAT Madrid, IFIC-CSIC Valencia, CNM Barcelona, IFCA Santander
- (3) **UK**: Univ. Birmingham, UCL London, Univ. Cambridge
- (3) **USA**: NIU DeKalb IL, Kansas State Univ. Lawrence, Princeton Univ. NJ

60 institutes in total

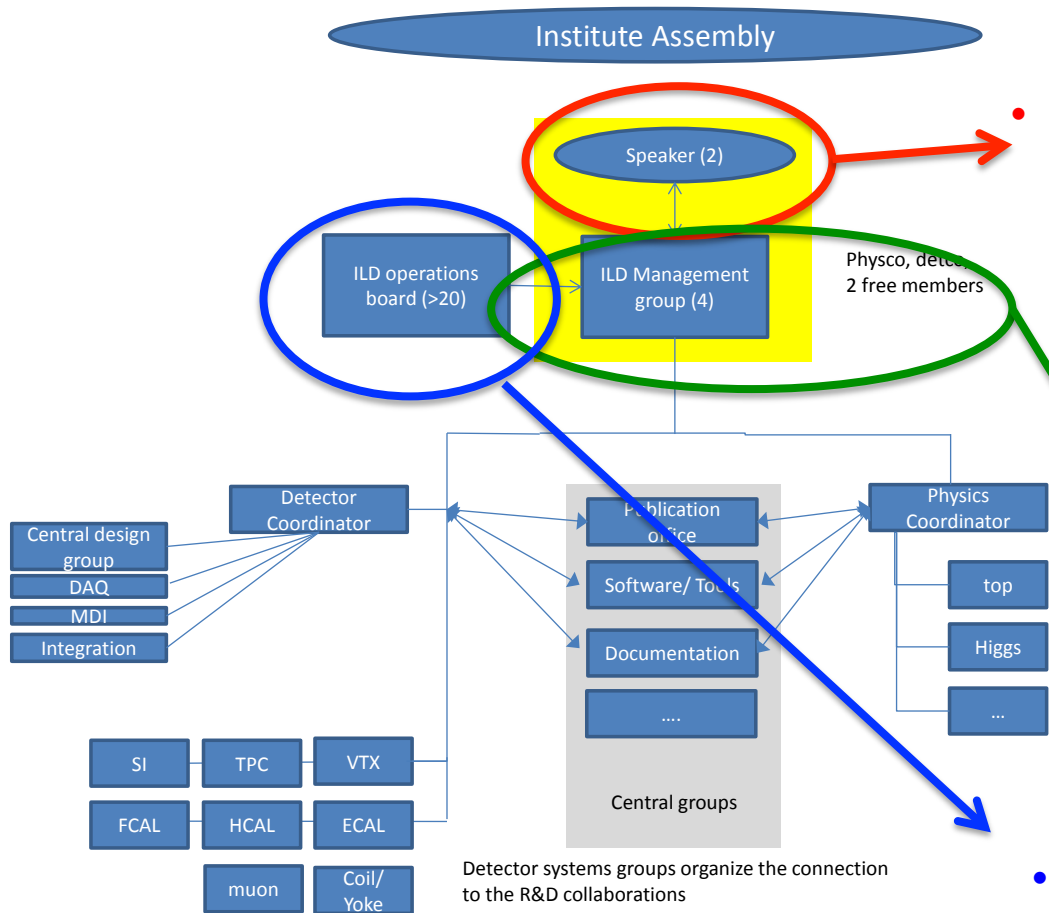
Joining ILD is possible at any moment

Institute Assembly



inputs

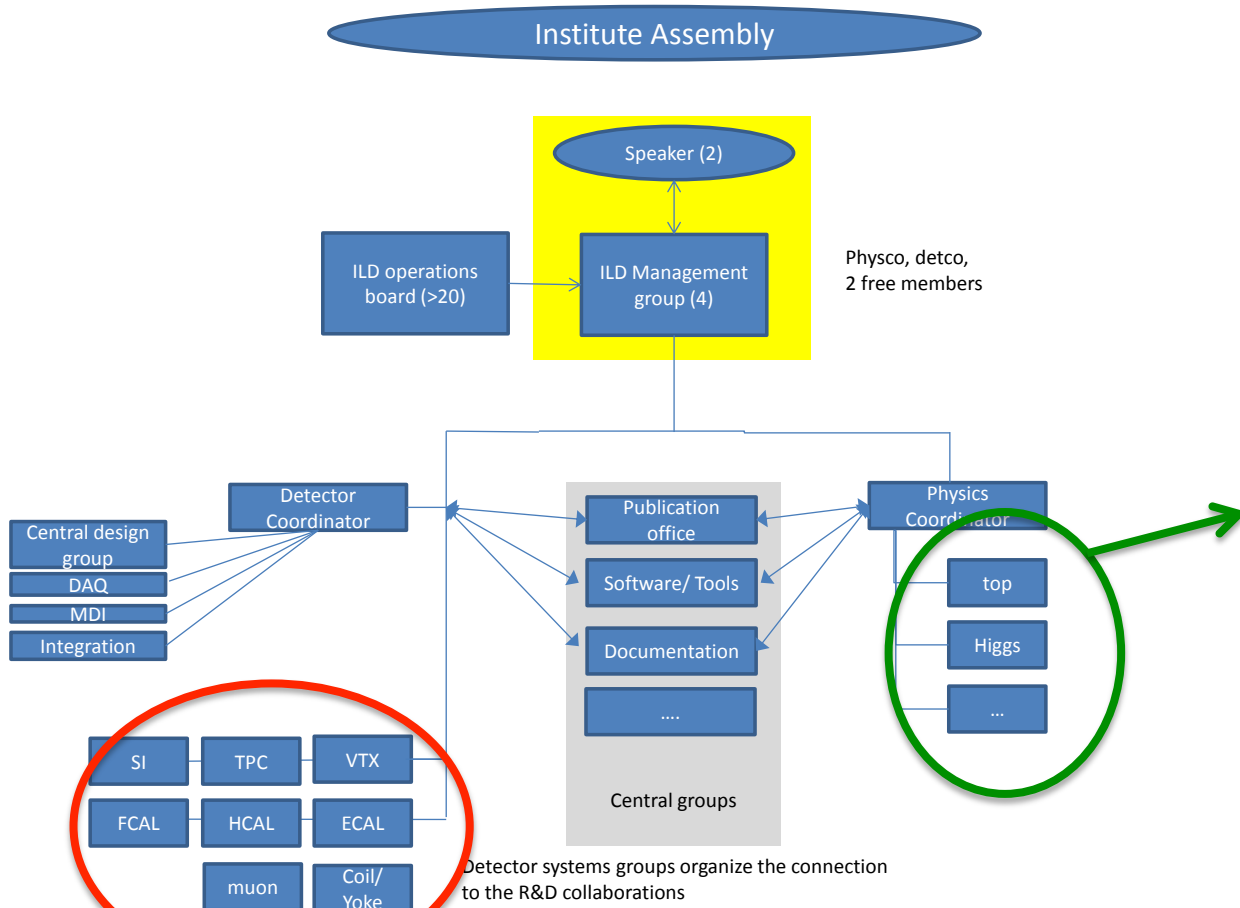
- “organisational chart” as shown in Oshu and Belgrade
- ILD “structure and goals” draft 23/5/2013 updated 20/9/2013 as discussed in JSB (and EB?)
- Marcel Demarteau’s critical review in Oshu
- CLICdp and SiD “organisation and rules”
- (Sofar few) discussions with (ILD) colleagues
- Recalling my past experience (DELPHI)



- My opinion:
 - should be ONE spokesperson
 - +1 or 2 deputies with SPECIFIC tasks (E.g contacts with Japan authorities)

- My opinion:
 - “free” members should have specific tasks, which can change in time

- My opinion:
 - Executive (Overview) Board
 - Keep limited size (>20 too big)
 - give all members specific task



Should we define them all?

- BSM
- EW
- QCD/2-photon
- Or for this intermediate period: just ONE physics group?

ILD needs to form its own detector groups

Some groups to be (re-) activated:

- (barrel) SI tracking
- Muon
- DAQ

Few “issues”

- Election or approval of nomination (by spokesperson) of members of management team by the IA? **What is better/best?**
- Currently in draft rules: 75% majority needed in election of members of management team. **This could lead to an “undecided” result.**
- Keep structure during intermediate period relatively “light”

Election procedure(s)

- **IA chair was elected in two rounds:**
 - Nominations by/from IA members
 - (1) absolute majority by one candidate or ...
 - (2) top two candidates proceed to 2nd round for simple majority vote
- **Alternatives:**
 - Try to find consensus candidate by search committee
 - Iterative election, by dropping every step the candidate with least votes
- Should we have same procedure for all positions?

Estimate time line

- Re-work (-phrase) current draft, including detailed election procedure(s): early Jan. 2015.
- Collect comments from IA members: early Feb 2015
- Aim for full acceptance by next full ILD meeting including IA meeting (April 2015?)
- Feel free to send comments

